



0081



II 2 G/D EEx c IIC T6

LCIE 03 ATEX 6310

# Tiger-Vac®

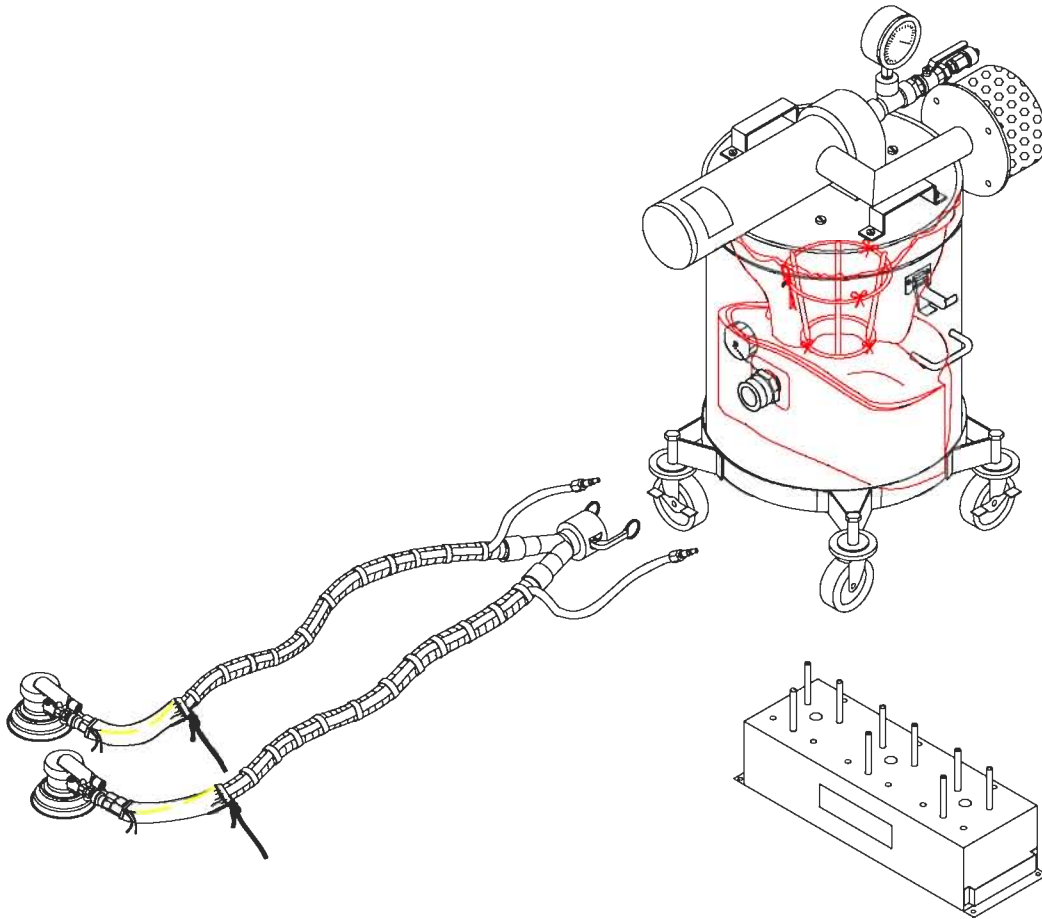
MEETS: CLASS I-GROUP D  
CLASS II-GROUP E, F & G

EXPLOSION PROOF/DUST IGNITION PROOF, SANDING KIT (SK) FOR DUST CONTROL  
PNEUMATICALLY (AIR) OPERATED

HEPA FILTER EFFICIENCY OF 99.99% @ 0.3 MICRON

MODEL: SS-10 (4W) SK HEPA

NSN: 7910-01-457-2018

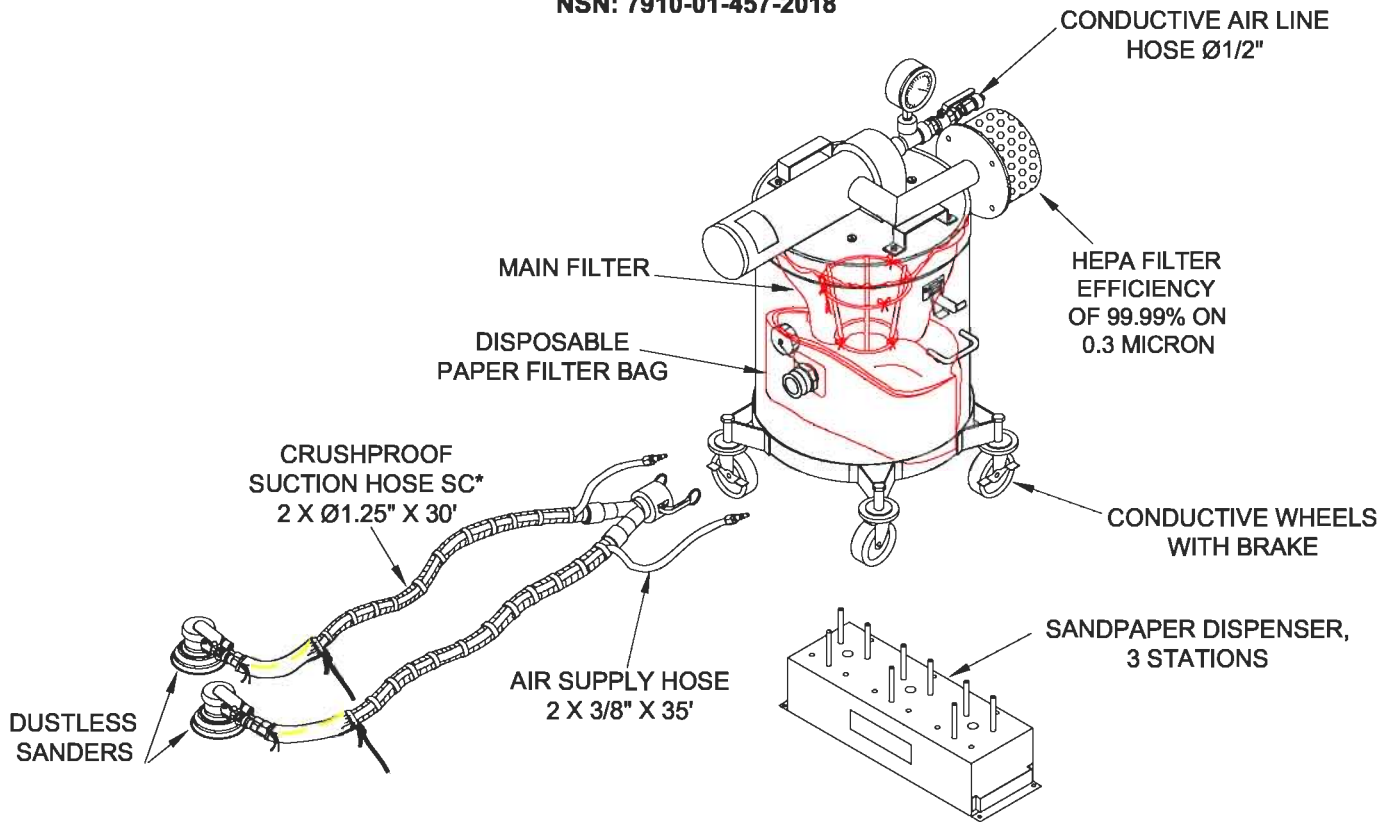


Designed for hazardous locations, such as aircraft hangars, or other atmospheres containing: gasoline, petroleum, naphta, benzene, butane, propane, alcohol, acetone, lacquer, solvent vapors or natural gas.

**TIGER-VAC INC. (USA)**  
73 S.W. 12 Ave. Bldg.1, Unit 7  
Dania, FL 33004, USA  
Tel: (954) 925-3625  
Fax: (954) 925-3626  
E-mail: sales@tiger-vac.com  
Web-site: <http://www.tiger-vac.com>

**TIGER-VAC INTERNATIONAL INC.**  
2020 Boul. Dagenais  
Laval, Québec  
CANADA H7L 5W2  
Tel: (450) 622-0100  
Fax: (450) 625-3388  
E-mail: support@tiger-vac.com  
Web-site: <http://www.tiger-vac.com>

EXPLOSION PROOF/DUST IGNITION PROOF, SANDING KIT (SK) FOR DUST CONTROL  
PNEUMATICALLY (AIR) OPERATED  
HEPA FILTER EFFICIENCY OF 99.99% @ 0.3 MICRON  
MODEL: SS-10 (4W) SK HEPA  
NSN: 7910-01-457-2018



SC\*: STATIC CONDUCTIVE

## SPECIFICATIONS & PERFORMANCES

Ideal performance - Single Venturi Systems					
Compressor Size	Air Line Size	Input Air Pressure / Bar	Suction Hoses for Sanders	Vacuum H <sub>2</sub> O / mm	Airflow CFM/LS
30 HP	1 X 0.50" / 2 X 0.25"	90 psi / 6	2 X Ø1.25" (2 X Ø32mm)	170" / 4320	110 / 52
<b>FILTERS</b> Paper filter bags (package of 5) disposable, recovery capacity 5 gal. (19 litres) Main filter washable, 1 micron efficiency, 5ft <sup>2</sup> (4,643cm <sup>2</sup> ) Absolute HEPA filter (H13) efficiency % @ MPPS 0.3µm Method EN1822. (Disposable) 6.7ft <sup>2</sup> (6,220cm <sup>2</sup> ) HEPA/ULPA filter meets: US MIL-STD 282 & IEC 60335-2-69					

## SPECIAL FEATURES

- Pneumatic (air) operated vacuum cleaner system. Certified ATEX and meets the requirements for Class I Group D and Class II Groups E, F & G.
- All stainless steel 304 construction.
- A variety of dustless (vacuum assisted) hand tools are available for use with Tiger-Vac sanding kit vacuum cleaners. This point of generation dust control is an effective and efficient means for capturing toxic substances such as: lead, cadmium, strontium, chromium, zinc, and barium.
- HEPA filter efficiency of 99.99% on 0.3 micron. Filters are manufactured and tested in accordance with IES-RP-CC 001.3. (ULPA filter efficiency of 99.999% on 0.12 micron - optional)
- Dual intake suction assembly, allows 2 sanders/grinders to be used simultaneously on one vacuum.
- Start up sandpaper kit, pre-punched, 5 each of 80, 100, 120, 180 and 200 grits. Other grits available upon request.