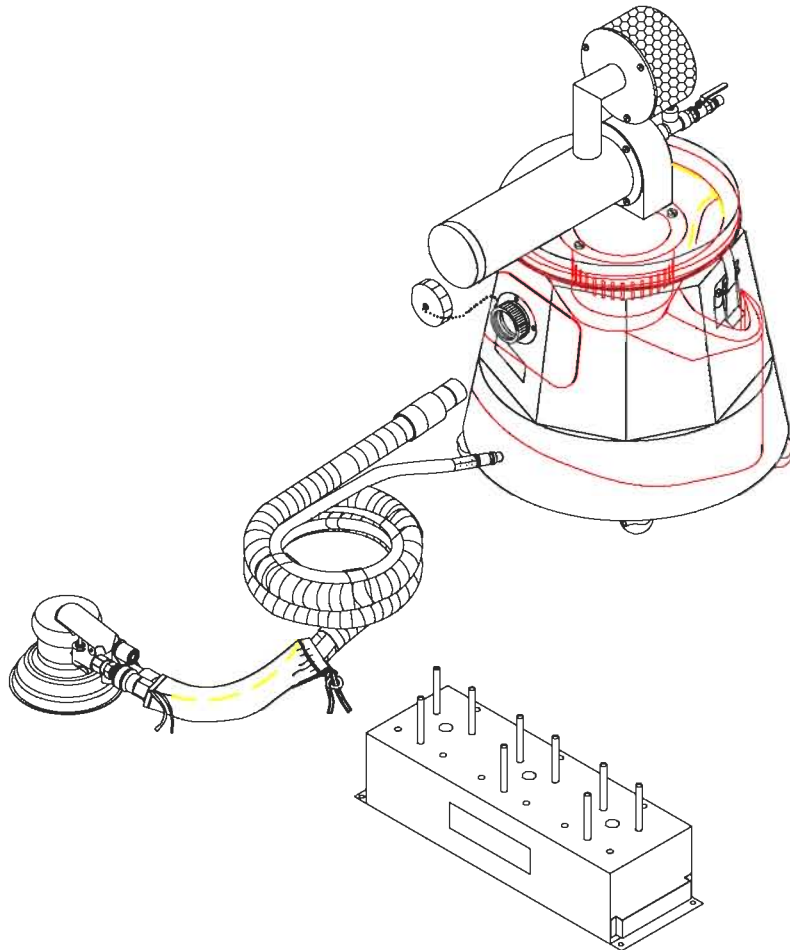


Tiger-Vac®

PNEUMATICALLY (AIR) OPERATED, SANDING KIT (SK) FOR DUST CONTROL
HEPA FILTER EFFICIENCY OF 99.99% @ 0.3 MICRON
MODEL: CS-7 SK RE HEPA



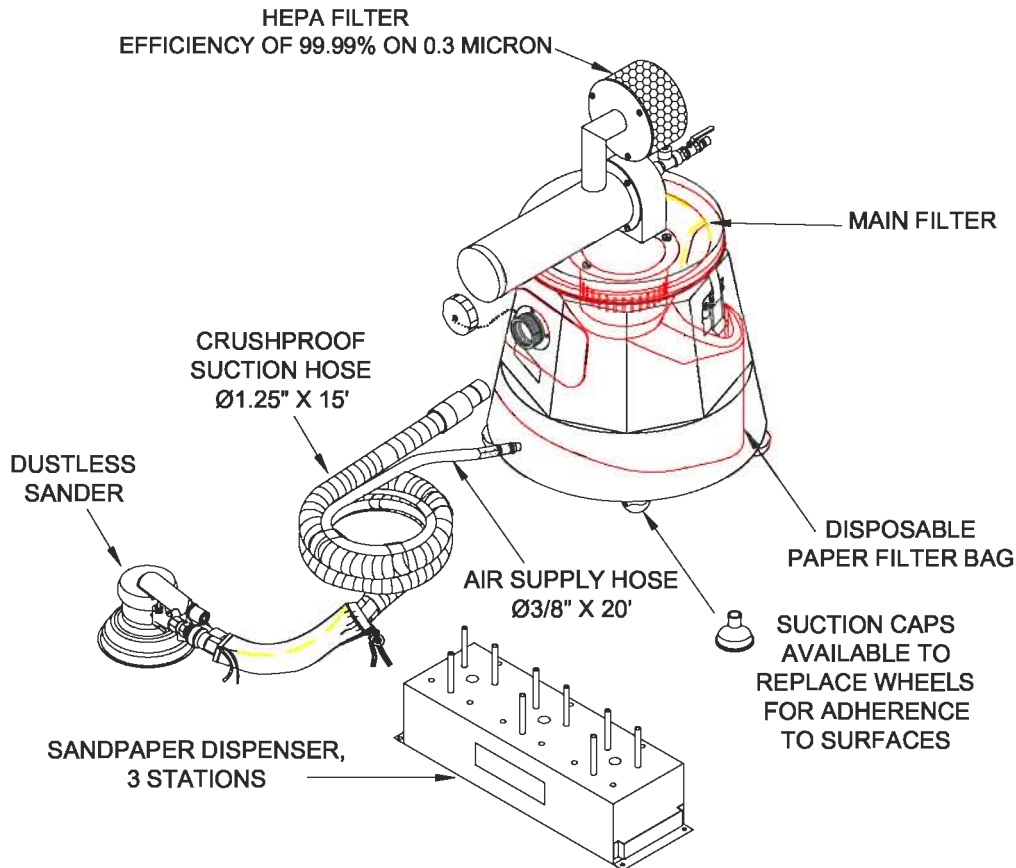
WARNING: not to be used to vacuum flammable or ignitable materials or dusts. Do not use this vacuum cleaner in hazardous locations. Please consult our technical representatives if an explosion proof / dust ignition proof vacuum cleaner is needed for hazardous locations

TIGER-VAC INC. (USA)
73 S.W. 12 Ave. Bldg.1, Unit 7
Dania, FL 33004, USA
Tel: (954) 925-3625
Fax: (954) 925-3626
E-mail: sales@tiger-vac.com
Web-site: <http://www.tiger-vac.com>

TIGER-VAC INTERNATIONAL INC.
2020 Boul. Dagenais
Laval, Québec
CANADA H7L 5W2
Tel: (450) 622-0100
Fax: (450) 625-3388
E-mail: support@tiger-vac.com
Web-site: <http://www.tiger-vac.com>

Tiger-Vac[®]

PNEUMATICALLY (AIR) OPERATED, SANDING KIT (SK) FOR DUST CONTROL
 HEPA FILTER EFFICIENCY OF 99.99% @ 0.3 MICRON
 MODEL: CS-7 SK RE HEPA



SPECIFICATIONS & PERFORMANCES

Ideal performance - Single Venturi Systems					
Compressor Size	Air Line Size	Input Air Pressure / Bar	Suction Hose for Sander	Vacuum H ₂ O / mm	Airflow CFM/LS
20 HP	1 X 0.50" / 1 X 0.25"	90 psi / 6	Ø1.25" (Ø32mm)	170" / 4320	110 / 52
FILTERS Paper filter bags (package of 5) disposable, recovery capacity 5 gal. (19 litres) Main filter washable, 1 micron efficiency, 5ft ² (4,643cm ²) Absolute HEPA filter (H13) efficiency % @ MPPS 0.3µm Method EN1822. (Disposable) 6.7ft ² (6,220cm ²) HEPA/ULPA filter meets: US MIL-STD 282 & IEC 60335-2-69					

SPECIAL FEATURES

- Pneumatic (air) operated vacuum cleaner system.
- A variety of dustless (vacuum assisted) hand tools are available for use with Tiger-Vac sanding kit vacuum cleaners. This point of generation dust control is an effective and efficient means for capturing toxic substances such as: lead, cadmium, strontium, chromium, zinc, and barium.
- HEPA filter efficiency of 99.99% on 0.3 micron. Filters are manufactured and tested in accordance with IES-RP-CC 001.3. (ULPA filter efficiency of 99.999% on 0.12 micron - optional).
- Start up sandpaper kit, pre-punched, 5 each of 80, 100, 120, 180 and 200 grits. Other grits available upon request.