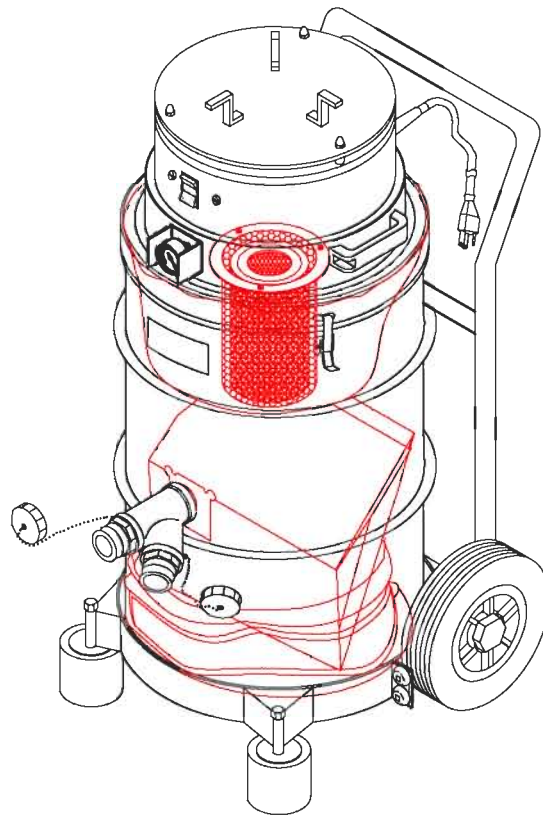


Tiger-Vac®



ELECTRICALLY OPERATED, VACUUM FOR USE AS SANDING KIT (SK) FOR DUST CONTROL
HEPA FILTER EFFICIENCY OF 99.99% @ 0.3 MICRON
MODEL: 4D-17 (i) 2W SK HEPA
NSN: 7910-01-484-9570

DUSTLESS TOOLS
SOLD SEPARATELY



WARNING: not to be used to vacuum flammable or ignitable materials or dusts. Do not use this vacuum cleaner in hazardous locations. Please consult our technical representatives if an explosion proof / dust ignition proof vacuum cleaner is needed for hazardous locations

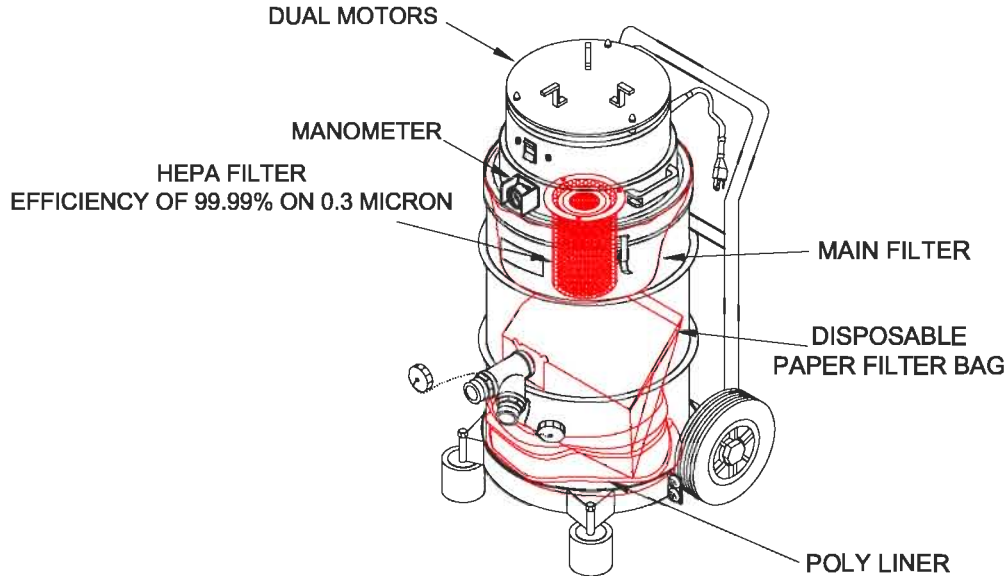
TIGER-VAC INC. (USA)
73 S.W. 12 Ave. Bldg.1, Unit 7
Dania, FL 33004, USA
Tel: (954) 925-3625
Fax: (954) 925-3626
E-mail: sales@tiger-vac.com
Web-site: <http://www.tiger-vac.com>

TIGER-VAC INTERNATIONAL INC.
2020 Boul. Dagenais
Laval, Québec
CANADA H7L 5W2
Tel: (450) 622-0100
Fax: (450) 625-3388
E-mail: support@tiger-vac.com
Web-site: <http://www.tiger-vac.com>



Tiger-Vac®



ELECTRICALLY OPERATED, VACUUM FOR USE AS SANDING KIT (SK) FOR DUST CONTROL
 HEPA FILTER EFFICIENCY OF 99.99% @ 0.3 MICRON
 MODEL: 4D-17 (i) 2W SK HEPA
 NSN: 7910-01-484-9570



SPECIFICATIONS & PERFORMANCES

MOTOR (I)	Voltage	Type	Power	Amps	Airflow CFM	Vacuum
	120V 50/60Hz	By Pass	1600 Watts	13.5	190 CFM	80 H ₂ O
MOTOR (F)	Voltage	Type	Power	Amps	Airflow LS	Vacuum
	230V	By Pass	2100 Watts	10	96 l/s	2100mm H ₂ O

FILTERS

Paper filter bags (package of 5) disposable, recovery capacity 5 gal. (19 Litres)
 Main filter washable, 1 micron efficiency, 5ft² (4,643cm²)
 Poly liner (package of 5)
 Absolute HEPA filter (H13) efficiency % @ MPPS 0.3 µm Method EN1822. (Disposable) 20.4ft² (19,000cm²)
 HEPA/ULPA filter meets: US MIL-STD 282 & IEC 60335-2-69

SPECIAL FEATURES

- Electrically operated vacuum cleaner system, with dual motors, dual speed.
- A variety of dustless (vacuum assisted) hand tools are available for use with Tiger-Vac sanding kit vacuum cleaners. This point of generation dust control is an effective and efficient means for capturing toxic substances such as: lead, cadmium, strontium, chromium, zinc, and barium.
- HEPA filter efficiency of 99.99% on 0.3 micron. Filters are manufactured and tested in accordance with IES-RP-CC 001.3. (ULPA filter efficiency of 99.999% on 0.12 micron - optional).
- Dual intake suction assembly