

**INDUSTRIAL VACUUM CLEANER SYSTEMS
ELECTRICALLY OPERATED
MODEL B-8 RE HEPA
FOR WET & DRY RECOVERY**



- Industrial grade HEPA vacuum cleaner system for wet and dry recovery.
- Powerful suction. Designed for industrial applications.
- Powder coated metal or polyethylene recovery tanks.
- Silent operation: between 69 dB(A) and 75 dB(A) depending on the model.
- Complete line of accessories and attachments, including dustless hand tools.
- For the recovery of ultra-fine particles (toxic/nuisance)
- HEPA Filter efficiency of 99.995% @ 0.3 micron. Tested: IEST RP-CC001.3. H14 by MPPS method as per EN 1822.
- The HEPA filter is secured in a heavy duty external housing for easy access.

Toll free telephone: 1 800 668-4437
Toll free fax: 1 800 668-4439

Tiger-Vac Inc. (USA)
73 S.W. 12 Ave. Bldg.1, Unit 7
Dania, FL 33004
USA
Tel.: (954) 925-3625
Fax.: (954) 925-3626
E-mail: sales@tiger-vac.com

Web Site: <http://www.tiger-vac.com>

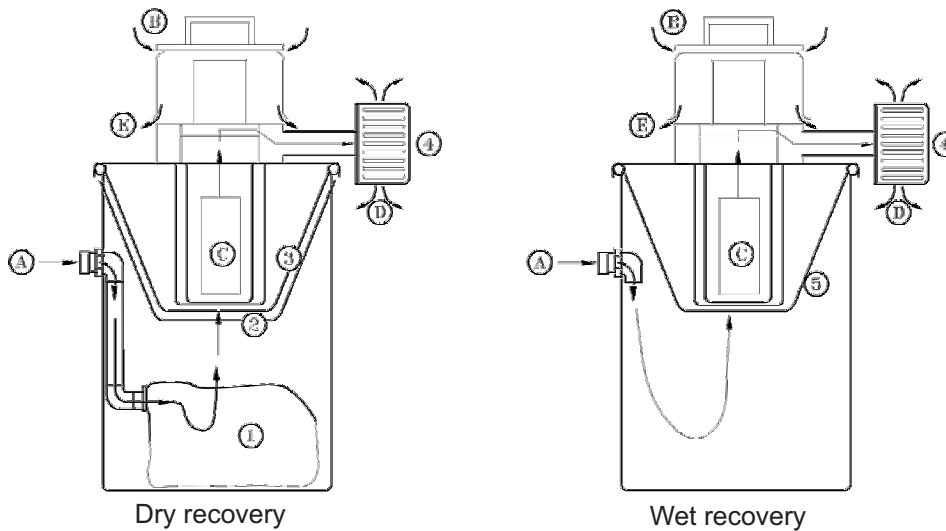
Tiger-Vac International Inc.
2020 Dagenais Blvd. West
Laval, Quebec
Canada H7L 5W2
Tel.: (450) 622-0100
Fax.: (450) 625-3388
E-mail: support@tiger-vac.com

PERFORMANCE CHART

| Model | Single Phase Volts/Hz | Current Draw | Power | Airflow | Vacuum | Recovery capacity | |
|-------------|--------------------------|--------------|--------|---------|-----------------------|-------------------|--------------|
| | | | | | | Tank | Paper bag |
| B-8 RE HEPA | 115/60 | 10.5 A | 1200 W | 110 CFM | 110 "H ₂ O | 8 gal/30ℓ | 2.5 gal/9.5ℓ |

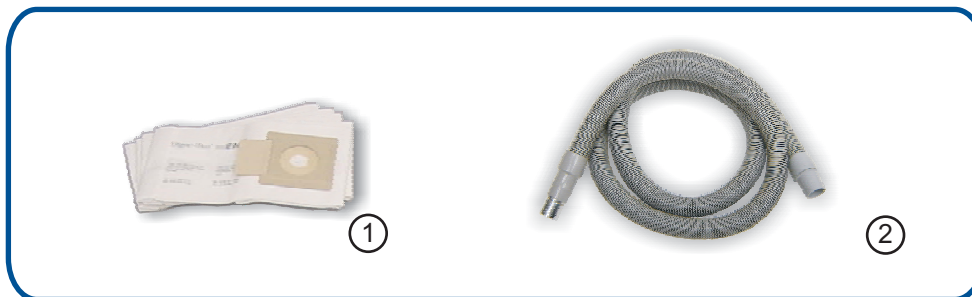
Dimensions: W18" (46cm) x H25" (64cm), 31 lbs. (14 kg)

WET AND DRY RECOVERY:



1. *Paper Filter Bag (disposable)*: Captures the bulk of recovered material and keeps other filters free from clogging dust.
 2. *Dralon Prefilter (washable)*: Prevents fine dust from caking on the main filter.
 3. *Polyester Main Filter (washable)*: Captures particles as small as one micron. (Dralon & polyester filters are assembled together).
 4. *HEPA Filter (disposable)*: Captures ultra fine particles.
 5. *Liquid Filter (washable)*: Made of polypropylene mesh.
 6. *Polyliner (disposable)*: Waste material is recovered directly in the polyliner. Allows for quick, clean and safe disposal of hazardous material. Can be used with or without the paper filter bag.
- A. Suction Intake
 B. Motor cooling air intake
 C. *Floater*: Cuts off the suction when recovered liquids reach capacity.
 D. Clean Air Exhaust (working air)
 F. Motor Cooling air exhaust.

INCLUDED TOOLS AND ACCESSORIES



1. 211028 Latex paper filter bag (pkg. of 5)
2. 381137B Hose assembly PVC crushproof 1.5" X 10' with swivel
3. 211591 PVC pipe connector (not shown)