

# AS-5 HEPA

Laboratory and Home Allergy

HEPA Vacuum Cleaner System (Dry Recovery Only)

HEPA Filter efficiency of 99.99% on 0.3 micron.



## Characteristics:



HEPA filter



Low noise level



- Light weight and portable
- Powerful suction
- Rugged construction
- 4 stage filtration system
- Ready to use: includes HEPA filter and tool kit
- Convenient design allows easy access to HEPA filter while maintaining leak proof seal
- Very silent, only 59 dB(A)

## Tiger-Vac®

*...The name to vacuum with*

Tiger-Vac Inc. (USA)  
73 S.W. 12 Ave. Bldg. 1, Unit 7  
Dania, FL 33004  
USA

Tel.: (954) 925-3625

Fax.: (954) 925-3626

E-mail: [sales@tiger-vac.com](mailto:sales@tiger-vac.com)

Tiger-Vac International Inc.  
2020 Dagenais Blvd. West  
Laval, Quebec  
Canada H7L 5W2

Tel.: (450) 622-0100

Fax.: (450) 625-3388

E-mail: [support@tiger-vac.com](mailto:support@tiger-vac.com)

Toll free telephone: 1 800 668-4437 (Fax: 1 800 668-4439)

<http://www.tiger-vac.com>

## Performance chart

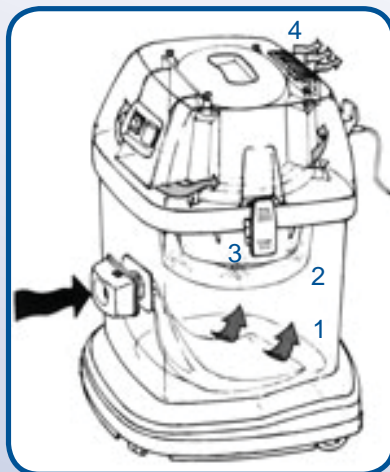
Model	Phase	Volts	Frequency	Power	Airflow	Vacuum	Capacity
AS-5	1	220/240 V	50/60 Hz	1000 W	45 ℓ/s (96 CFM)	2444 mm H <sub>2</sub> O (96" H <sub>2</sub> O)	12ℓ (3 gal.)
	1	115 V	50/60 Hz	1000 W	45 ℓ/s (96 CFM)	2515 mm H <sub>2</sub> O (99" H <sub>2</sub> O)	12ℓ (3 gal.)

Dimensions: Length: 14" (36cm), Width: 14" (36 cm), Height: 17" (43cm), weight: 17 lbs (8.2 kg).

Noise Level: 59 dB(A)



1. Paper bag collects the bulk of the recovered dust and keeps the other filters clean. Rubber seal fits securely around the suction intake to prevent spillage.
2. Polyester pre-filter protects and prolongs the life of the HEPA filter.
3. HEPA Filter with 99.99% efficiency on particles as small as 0.3 micron. The HEPA filter is securely fastened under the motor. Convenient design allows for easy access and maintains leak proof seal.
4. Washable foam exhaust filter.
5. Built in conveniences: Handle for easy lifting and hook for storing power cord.
6. Four wheels: the front wheels swivel for excellent manoeuvrability and the large rear wheels provide excellent stability.



### 4 stage filtration system

1. Paper filter bag (disposable) 5/pkg. Capacity: 2 gallons / 8 liters (part number: 212300)
2. Polyester main filter(washable) (part number: 212305)
3. HEPA filter 99.99% on 0.3 micron (part number: 212303)
4. Foam exhaust filter (part number: 212307)



### Tool kit (included)

- |    |        |                                      |
|----|--------|--------------------------------------|
| A. | 323504 | Extension wands (2), 20" (50cm) each |
| B. | 323510 | Crevice tool, 8" (20cm)              |
| C. | 323512 | Upholstery tool, 5" (12.5cm)         |
| D. | 323514 | Dusting brush, 3" (7.5cm)            |
| E. | 323508 | Floor tool, 14" (35cm)               |
| F. | 323500 | Suction hose, 8' (2.4m)              |

For complete details please visit our website: [WWW.TIGER-VAC.COM](http://WWW.TIGER-VAC.COM) or contact one of our technical representatives.

Specifications are subject to change without notice. Tiger-Vac is a registered trademark.