



# Tiger-Vac®

...The name to vacuum with

## INDUSTRIAL VACUUM CLEANER SYSTEMS

### ELECTRICALLY OPERATED

#### MODELS AS-400 HEPA AND AS-400 MR HEPA

#### HEPA FILTER EFFICIENCY OF 99.99% ON 0.3 MICRON

**MODEL AS-400 HEPA  
(FOR DRY RECOVERY ONLY)**



**Model AS-400 HEPA  
w/ poly tank**

20.5" X 19.5" X 33", 33lbs  
(525mm X 495mm X 838mm, 15kg)

**Model AS-400 HEPA  
w/ stainless steel tank**

20.5" X 19.5" X 33", 34lbs  
(525mm X 495mm X 838mm, 15.5kg)

**MODEL AS-400 MR HEPA  
WITH STAINLESS STEEL (AISI 430) MIDDLE RING  
(FOR WET AND DRY RECOVERY)**



**Model AS-400 MR HEPA  
w/ poly tank**

20.5" X 19.5" X 38", 41lbs  
(525mm X 495mm X 965mm, 18.5kg)

**Model AS-400 MR HEPA  
w/ stainless steel tank**

20.5" X 19.5" X 38", 42lbs  
(525mm X 495mm X 965mm, 19kg)

- Powerful suction.
- Lightweight and ergonomic.
  - 3 stage filtration system.
- Ready to use: Includes HEPA filter and tool kit.
- Convenient design allows easy access to HEPA Filter while maintaining leak proof seal.
  - Very silent: only 63 dB(A).
- Available with polypropylene recovery tank or with stainless steel (AISI 430) recovery tank.

<b>Voltage:</b>	120V	or	220/240V
<b>Power:</b>	1200 watts		1200 watts
<b>Airflow:</b>	120 cfm		63 ℓ/s
<b>Vacuum:</b>	93" H <sub>2</sub> O		2140 mm H <sub>2</sub> O

<b>Noise level:</b>	Only 63 dB(A)
<b>Capacity (Paper filter bag):</b>	5 gal. (19ℓ)
<b>Capacity (Recovery tank):</b>	10 gal. (38ℓ)
<b>Power cord:</b>	33' long (10m)

**Toll free telephone: 1 800 668-4437**

**Toll free fax: 1 800 668-4439**

*Tiger-Vac Inc. (USA)  
73 S.W. 12 Ave. Bldg.1, Unit 7  
Dania, FL 33004  
USA*

*Tel.: (954) 925-3625*

*Fax.: (954) 925-3626*

*E-mail: sales@tiger-vac.com*

**Web Site: <http://www.tiger-vac.com>**

*Tiger-Vac International Inc.  
2020 Dagenais Blvd. West  
Laval, Quebec  
Canada H7L 5W2*

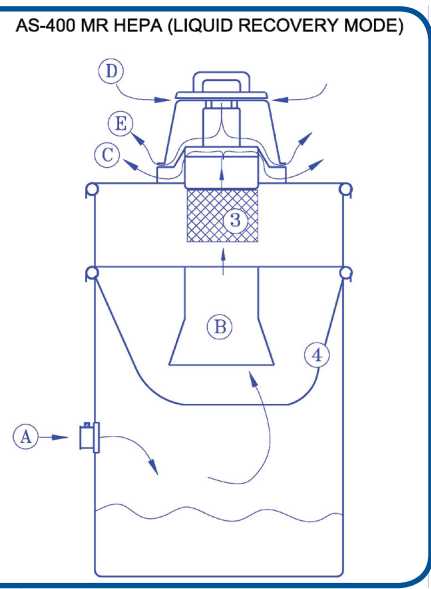
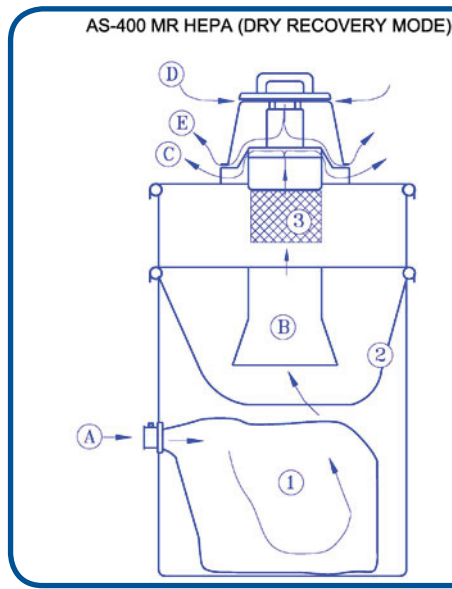
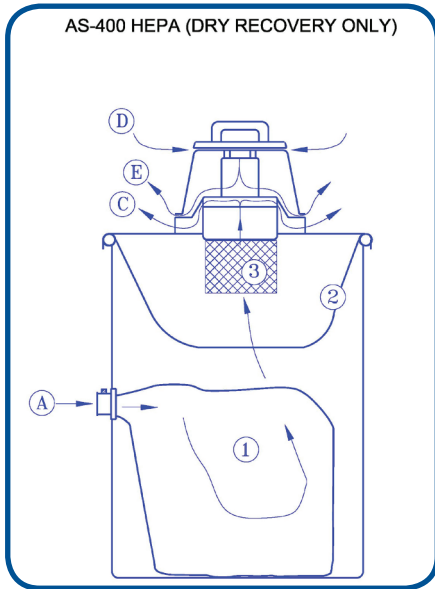
*Tel.: (450) 622-0100*

*Fax.: (450) 625-3388*

*E-mail: support@tiger-vac.com*

AS-400 HEPA DRY - WET/DRY RECOVERY VACUUM CLEANER SYSTEM WITH HEPA FILTRATION

## FILTRATION AND SYSTEM OVERVIEW



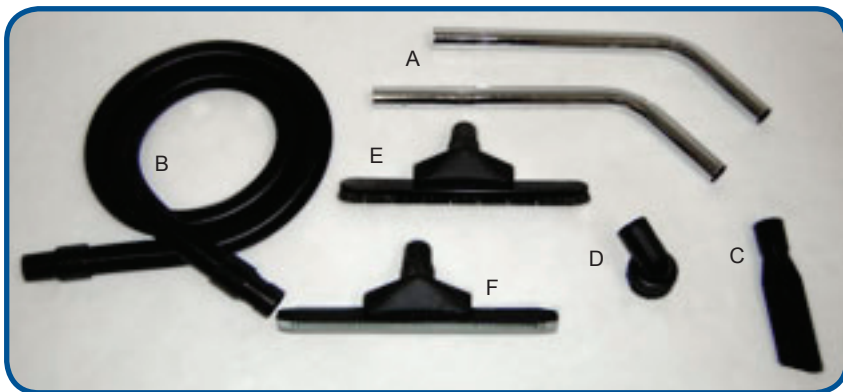
### FILTRATION SYSTEM:

1. PAPER FILTER BAG: The disposable paper filter bag collects the bulk of the recovered materials and facilitates disposal
2. MAIN CLOTH FILTER: the washable main cloth filter protects the HEPA filter from clogging dust
3. HEPA FILTER: Minimum filtration efficiency of 99.99% on 0.3 micron; captures ultra-fine dust (toxic and nuisance)
4. LIQUID FILTER: Made of polypropylene mesh.

### SYSTEM OVERVIEW:

- A. SUCTION INTAKE
- B. FLOATER: Cuts off suction when recovered liquids reach capacity limit
- C. FILTERED WORKING AIR EXHAUST
- D. MOTOR COOLING AIR INTAKE
- E. MOTOR COOLING AIR EXHAUST

### INCLUDED Ø1.5" (38mm) TOOLS AND ACCESSORIES



- |   |         |                                       |
|---|---------|---------------------------------------|
| A.  | 381163A | Double bend wand (2pc) 54" (1.37m)    |
| B.  | 381475  | Crushproof suction hose 8' (2.65m)    |
| C.  | 381480  | Crevice tool 10" (25cm)               |
| D.  | 381482  | Dusting brush 3" (76mm)               |
| E.  | 381485  | Floor tool with bristles 16" (40.7cm) |
| <b>Included with AS-400 MR HEPA only:</b> |         |                                       |
| F.  | 381490  | Squeegee floor tool 16" (40.7cm)      |

All AS-400 models are mounted on an ergonomic carriage base with onboard storage area for the accessories.