

Tiger-Vac®

EQUIPMENT FOR EXPLOSION PROOF/DUST IGNITION PROOF APPLICATIONS

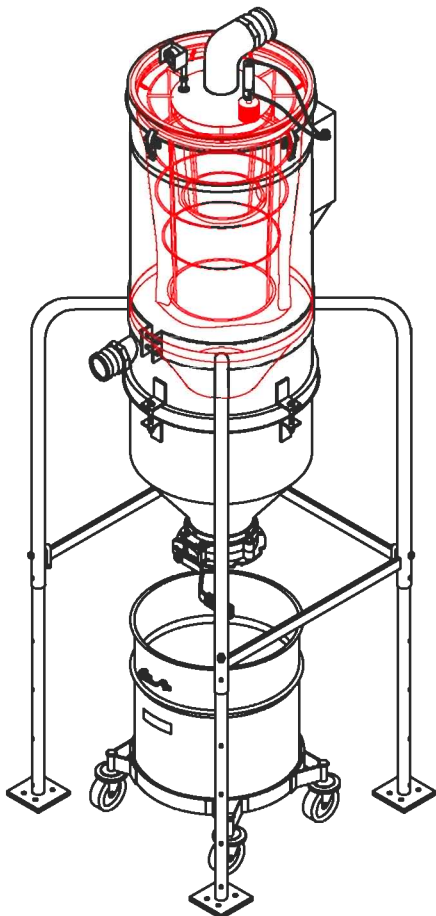
HOPPER FILTRATION & RECOVERY SYSTEMS (FRS)

MODEL: HOPPER FRS-570 SS (AFS), (RPS), (APS)

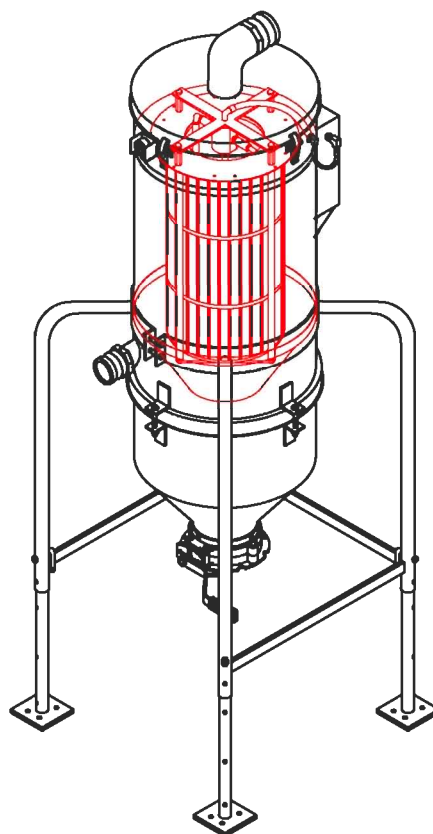
AVAILABLE WITH A VARIETY OF AUTOMATIC FILTER CLEANING SYSTEMS-ALL PNEUMATICALLY (AIR) OPERATED

WITH FLANGE FOR MANUAL DISCHARGE VALVE (OTHERS DISCHARGE OPTIONS ALSO AVAILABLE)

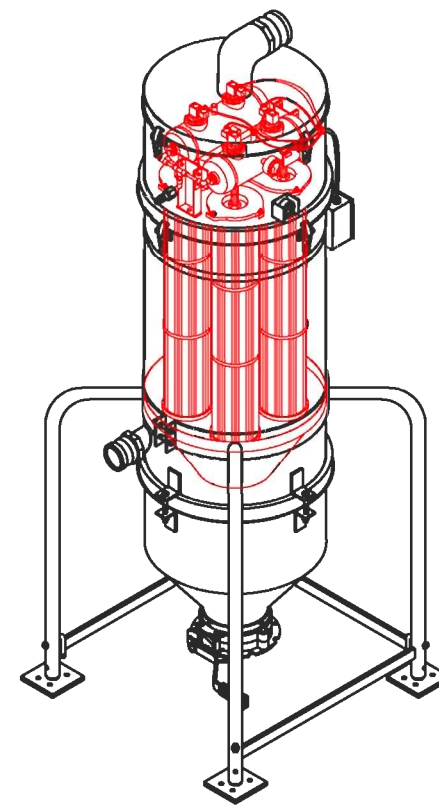
FOR CENTRAL VACUUM APPLICATIONS



1) HOPPER (AFS): AUTOMATIC FILTER SHAKER
(ENTIRELY PNEUMATIC)



2) HOPPER (RPS): REVERSE PULSE SYSTEM
AUTOMATIC (ENTIRELY PNEUMATIC)



3) HOPPER (APS): AUTOMATIC PURGE SYSTEM
(ENTIRELY PNEUMATIC)

TIGER-VAC INC. (USA)
14 Healey Ave. Plattsburgh, NY 12901
Tel: 518/561-6992 Fax: 518/561-7081
Toll Free Tel: 1-800-668-4437
Toll Free Fax: 1-800-668-4439
E-mail: sales@tiger-vac.com
Web-site: <http://www.tiger-vac.com>

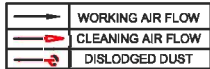
TIGER-VAC INTERNATIONAL INC.
2020 Dagenais Blvd. West, Laval, Québec
H7L 5W2 CANADA
Tel: 450/622-0100 Fax: 450/625-3388
Toll Free Tel: 1-800-668-4437
Toll Free Fax: 1-800-668-4439
E-mail: support@tiger-vac.com
Web-site: <http://www.tiger-vac.com>

TIGER-VAC EUROPA S.R.L.
VIA F. Farabegoli 100
47023 S. Carlo Di Cesena FC
ITALIA
Tel: (39) 333 6529535
Fax: (39) 051 5872904
E-mail: pal9994@iperbole.bologna.it
Web-site: <http://www.tiger-vac.com>

Tiger-Vac®

EQUIPMENT FOR EXPLOSION PROOF/DUST IGNITION PROOF APPLICATIONS
 HOPPER FILTRATION & RECOVERY SYSTEMS (FRS)
 MODEL: HOPPER FRS-570 SS (AFS), (RPS), (APS)

AVAILABLE WITH A VARIETY OF AUTOMATIC FILTER CLEANING SYSTEMS-ALL PNEUMATICALLY (AIR) OPERATED
 WITH FLANGE FOR MANUAL DISCHARGE VALVE (OTHERS DISCHARGE OPTIONS ALSO AVAILABLE)
 FOR CENTRAL VACUUM APPLICATIONS

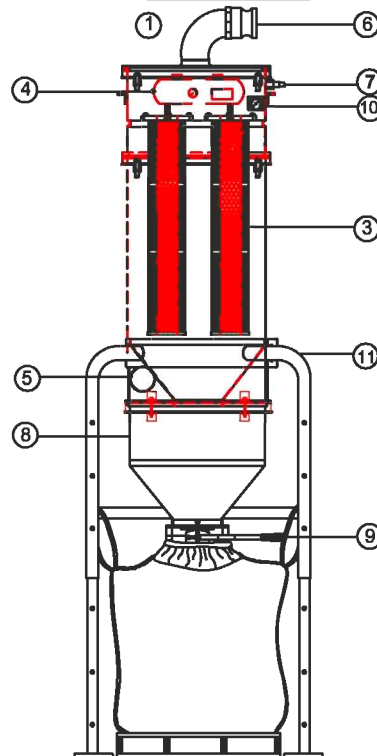
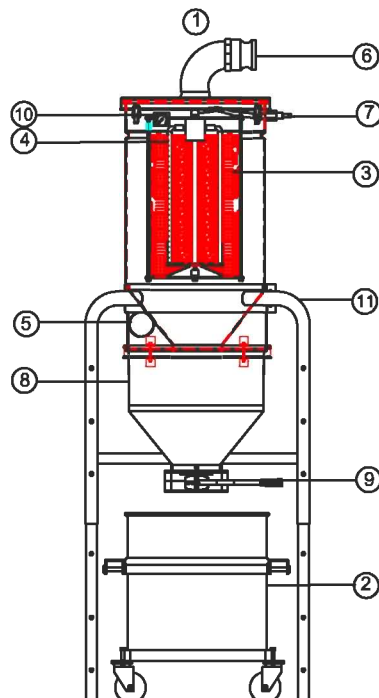
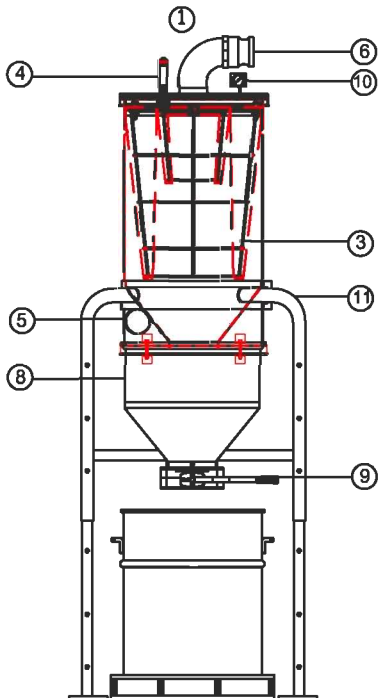
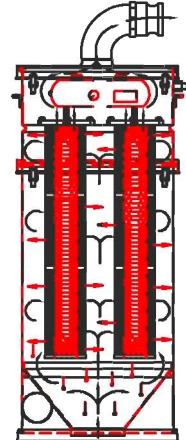
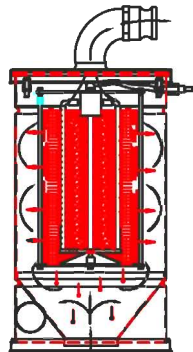
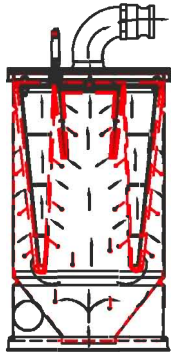


A) AFS : AUTOMATIC FILTER SHAKER (ENTIRELY PNEUMATIC)

B) RPS : REVERSE PULSE SYSTEM AUTOMATIC (ENTIRELY PNEUMATIC)

C) APS : AUTOMATIC PURGE SYSTEM (ENTIRELY PNEUMATIC)

FEATURES



All stainless steel 304 construction (No. 1)

Recovery tank size 55 gallons (220L) (Optional)(No. 2)

FILTRATION:

- A) Anti-static PTFE Polyester Felt filter with a surface area of 28 ft² (26 013 cm²) static dissipating for (AFS), with stainless steel wire cage (No. 3)
- B) Anti-static PTFE filter cartridge with a surface area of 120 ft² (111 483 cm²) S.D.* for (RPS) (No. 3)
- C) 4 anti-static PTFE filter cartridges S.D.* with a surface area of 30 ft² (27 871 cm²) each, 4 cartridges=120 ft² (111 483 cm²) for (APS) (No. 3)

FILTERS CLEANING:

- Automatic Filter Shaker mechanism with adjustable pneumatic timers for the self cleaning Teflon PTFE Felt filter for (AFS) (No. 4)
- Reverse pulse system with adjustable pneumatic timers for the air driven self cleaning filter cartridge for (RPS) (No. 4)
- Automatic Purge System (integrated) with adjustable pneumatic timers for the air driven self cleaning filter cartridge for (APS) (No. 4)

SUCTION ORIFICES:

Suction orifice: Ø4" (100 mm), 3 x Ø2" (50 mm) or 3 x Ø1.5" (38 mm) (No. 5)

Connecting inline suction intake with female stainless steel camlock connector, Ø4" (100mm) (No. 6)

Grounded Air supply hose static dissipating, Ø 0.5" x 50' (12.5mm x 15m) with quick disconnect for (RPS) (No. 7)

Grounded Air supply hose static dissipating, Ø 0.25" x 50' (6.25mm x 15m) with quick disconnect for (AFS & APS) (No. 7)

Discharge Cone Chamber Ø570mm to Ø205mm, Stainless Steel (No.8)

Manually Operated Butterfly Discharge Valve, Ø205mm (No.9)
 Fully Automatic Discharge Valve available upon request (No.9)

Pressure Gauge, Stainless Steel (No.10)

Adjustable Stand with 4 stand-off legs (optional 4 wheels) (Heavy Duty Powder Coated) (No.11)

Rupture Disc (to be assembled on cone chamber #8), (Optional)

SD* Static Dissipating