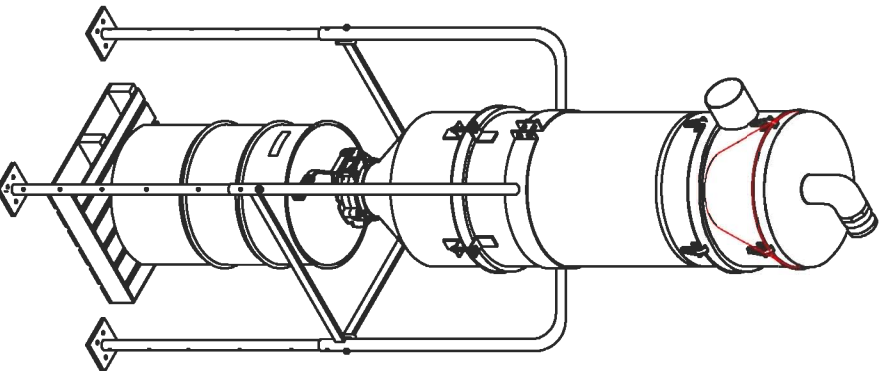


Tiger-Vac®

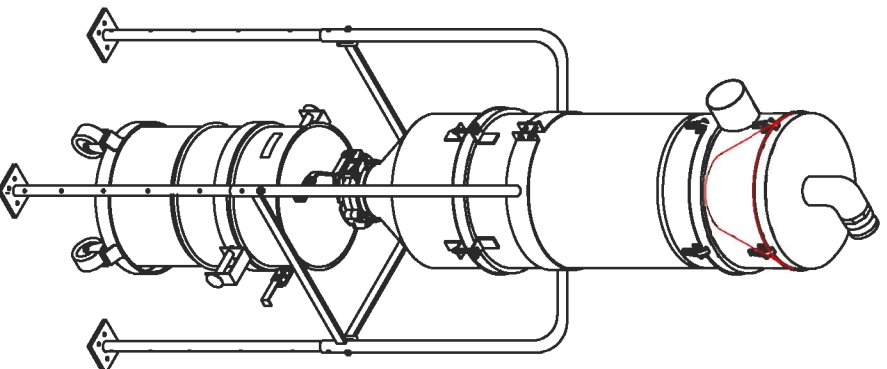
EQUIPMENT FOR EXPLOSION PROOF/DUST IGNITION PROOF APPLICATIONS

MODEL: HOPPER 570 SS

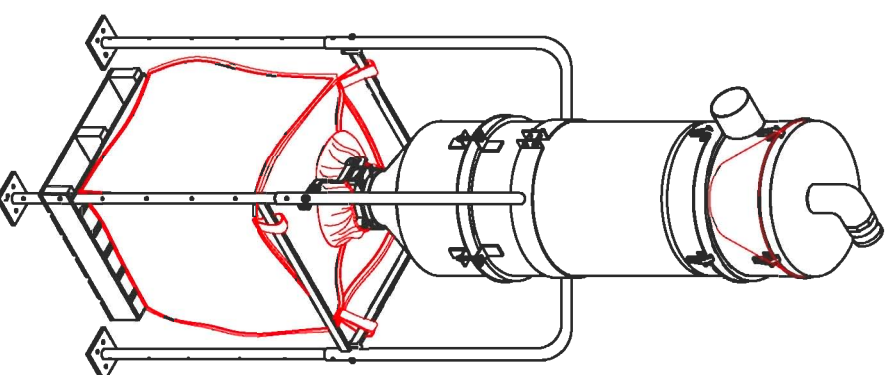
PRE-SEPARATOR RECOVERY SYSTEM WITH CYCLONE FOR GRAVITY DISCHARGE
WITH FLANGE FOR MANUAL DISCHARGE VALVE (OTHER DISCHARGE OPTIONS ALSO AVAILABLE)
STAINLESS STEEL 304



1) HOPPER WITH 55 GAL. DRUM ON PALLET



2) HOPPER WITH 55 GAL. DRUM WITH DETACHABLE
HANDLE (SWIVEL) AND 4 WHEEL CART



3) HOPPER WITH SUPER BULK BAG
ON PALLET (SIZE: 29" X 29" X 60")
(740mm X 740mm X 1530mm)

TIGER-VAC INC. (USA)

14 Healey Ave. Plattsburgh, NY 12901
Tel: 518/561-6992 Fax: 518/561-7081
Toll Free Tel: 1-800-668-4437
Toll Free Fax: 1-800-668-4439
E-mail: sales@tiger-vac.com
Web-site: <http://www.tiger-vac.com>

TIGER-VAC INTERNATIONAL INC.

2020 Dagenais Blvd. West, Laval, Québec
H7L 5W2 CANADA
Tel: 450/622-0100 Fax: 450/625-3388
Toll Free Tel: 1-800-668-4437
Toll Free Fax: 1-800-668-4439
E-mail: support@tiger-vac.com
Web-site: <http://www.tiger-vac.com>

TIGER-VAC EUROPA S.R.L.

VIA F. Farabegoli 100
47023 S. Carlo Di Cesena FC
ITALIA
Tel: (39) 333 6529535
Fax: (39) 051 5872904
E-mail: pa19994@jperbole.bologna.it
Web-site: <http://www.tiger-vac.com>