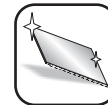


EXP1-35L DT

EXPLOSION PROOF / DUST IGNITION PROOF VACUUM CLEANER SYSTEMS
ELECTRICALLY OPERATED
ULTIMATE EXTREME CLEANING FILTER CARTRIDGE (PTFE)
BY REVERSE PURGE
MODEL EXP1-35L DT (MRP) RE HEPA



Characteristics:



Stainless Steel



Detachable tank



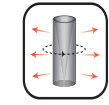
Explosion proof



Auto. reverse Purge (ARP)



Automatic Filter Shaker (AFS)



Automatic Reverse Purge (RPS)



• C

Legally certified for use in
NFPA (NEC) 70-500
Class I-Group D and
US Class II-Groups E, F and G.

- For dry recovery only.
- For controlled environments and potentially explosive atmospheres such as:
 - Pharmaceutical plants, cleanrooms, food processing industries, packaging facilities.
 - Industries using aluminum, magnesium, and other commercial alloys in the fabrication of metal products such as powder, ingot, plate, sheet, strip, ribbon, foil, rod, and tubing.
 - Industries involved in the handling of carbon black, coal, and coke dust.

Tiger-Vac®

...The name to vacuum with

Tiger-Vac Inc. (USA)
73 S.W. 12 Ave. Bldg. 1, Unit 7
Dania, FL 33004
USA

Tel.: (954) 925-3625

Fax.: (954) 925-3626

E-mail: sales@tiger-vac.com

Tiger-Vac International Inc.

2020 Dagenais Blvd. West

Laval, Quebec

Canada H7L 5W2

Tel.: (450) 622-0100

Fax.: (450) 625-3388

E-mail: support@tiger-vac.com

Toll free telephone: 1 800 668-4437 (Fax: 1 800 668-4439)

<http://www.tiger-vac.com>

Performance chart

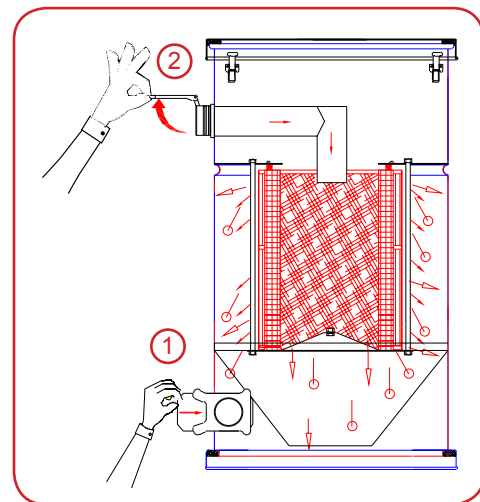
Model	Phase/Volts 60 Hz	Electric current	Electric power	Airflow	Vacuum at sealed orifice	Recovery capacity
EXP1-35L DT (MFS/MRP) RE HEPA	1/115	9A	1.3 HP	132 CFM	69" H ₂ O	8.75 Gal. (35ℓ)
Dimensions : L24" (61cm) X W22" (58cm) X H43" (109cm). 78 lbs (35.5 kg)				Noise levels : 75 dB(A) at 6.6' (2m)		

ULTIMATE EXTREME CLEANING FILTER CARTRIDGE (PTFE) BY REVERSE PURGE (MRP)

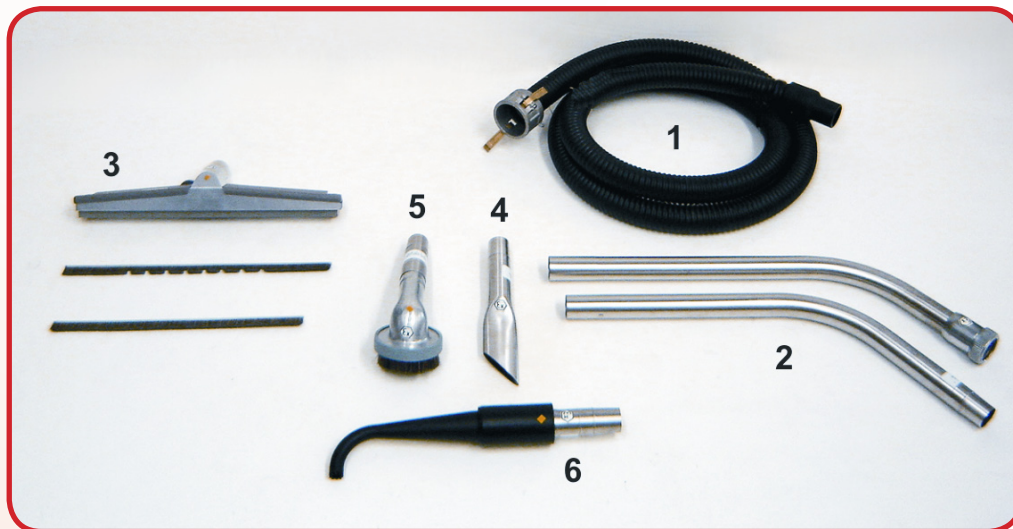
Tiger-Vac's Manual Reverse Purge of the conductive filter cartridge (PTFE- surface area: 40 ft² [37 200cm²]) provides extreme and ultimate cleaning of the filter and maximizes the vacuum cleaners performance in a quick and effortless way. This is achieved by having the air suction intake reversed within the cartridge, thus purging it.

To operate, simply:

1. Close the gate valve at the suction intake, which will block the suction intake and create a maximum pressure inside the filter chamber.
2. Open the purging valve to allow air to flow inside the filter and blast off even hydroscopic particles of dust. Dust will fall at the bottom of the recovery tank for quick and easy disposal.
3. To achieve 100% performance of your vacuum cleaner, repeat two or three times as needed.



Included tools and accessories Ø 1 1/2" (38mm)



1	381400B	Kanaflex suction hose, SD*, Ø1.5" x 10' for 2"(50 mm) camlock inlet.
2	381364A	Wand Assembly with aluminum attachment, 2 pcs, stainless steel
3	381236	Universal Tool Assembly, SD*, 18", aluminum with conductive brushes & rubber blades.
4	381372D	Crevice Tool, 11", stainless steel
5	381185DA	Dusting Brush, with conductive brush, Ø5", aluminum with stainless steel adaptor.
6	383462D	Conical Nozzle with curved tip, 10", conductive rubber with stainless steel adaptor.

*SD: Static Dissipative and Conductive

When two or more commercial alloys are present and recovered by the vacuum cleaner, we recommend the vacuum cleaner be used in conjunction with a Liquid Immersion Separator.

10 Ohms :

In order to legally certify an Explosion Proof/Dust Ignition Proof vacuum cleaner system the unit must be static dissipative (SD*) and conductive and have a resistivity measuring less than 10 Ohms from the grounded air supply hose to any point on the vacuum cleaner system. This makes the unit eligible to be Explosion Proof/Dust Ignition Proof and be part of the Tiger-Vac's quality control management system ISO 9001:2000.

WARNING!

Only tools and accessories provided by Tiger-Vac shall be used with this vacuum cleaner. Any other tools used will render the warranty null and void any may cause an explosion which could result in bodily harm. Tiger-Vac will not assume any responsibility for damage that may occur due to the improper use or handling of the vacuum cleaner system.

For complete details please visit our website: WWW.TIGER-VAC.COM or contact one of our technical representatives.
Specifications are subject to change without notice. Images are for illustration purposes only. Tiger-Vac is a registered trademark.